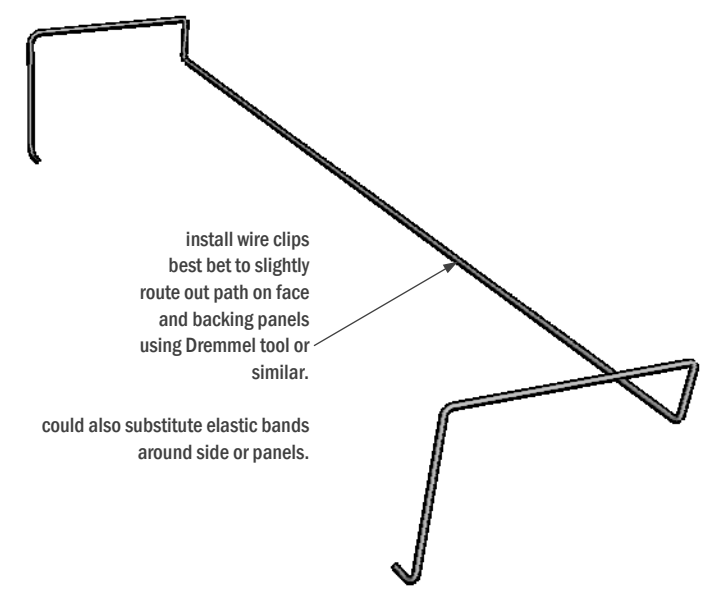
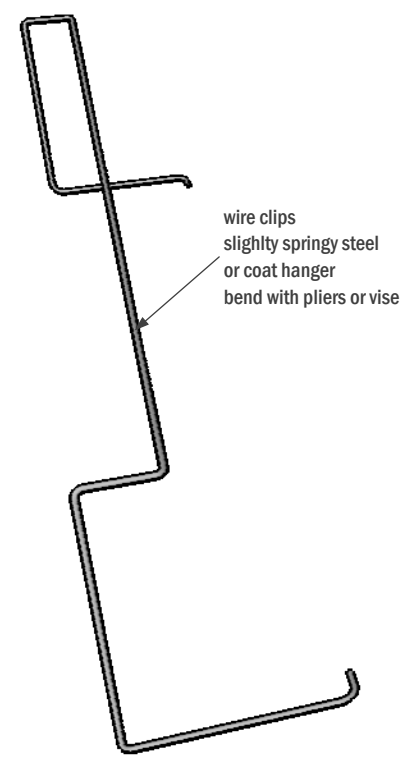
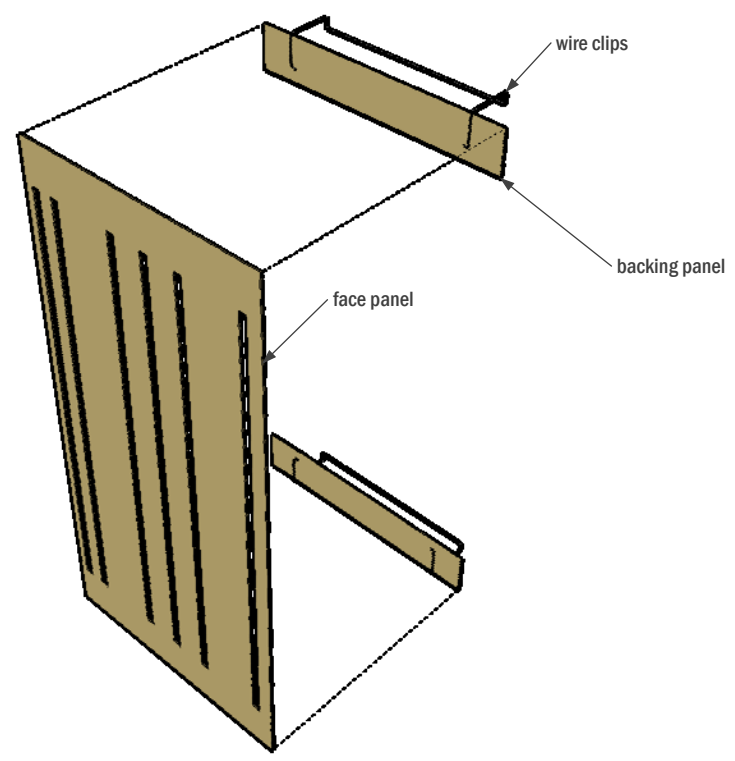
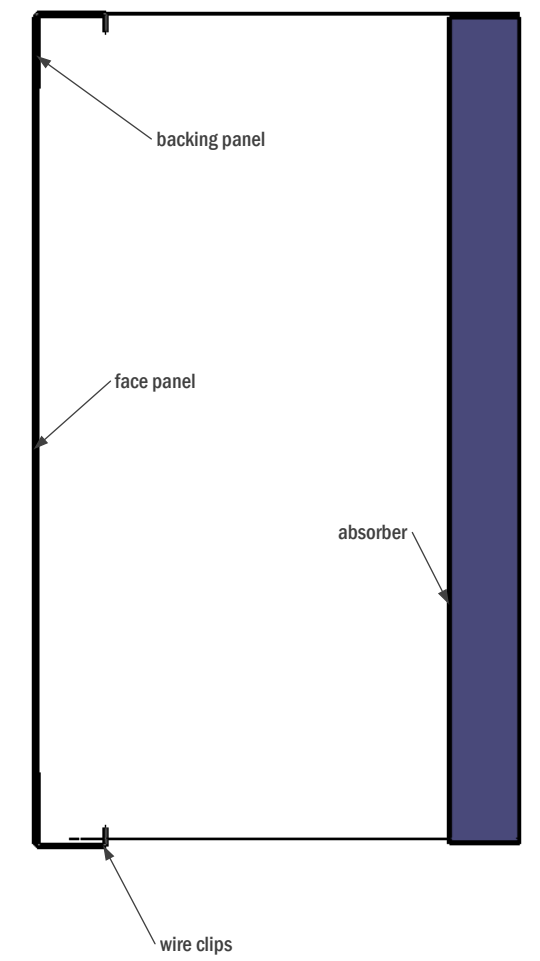
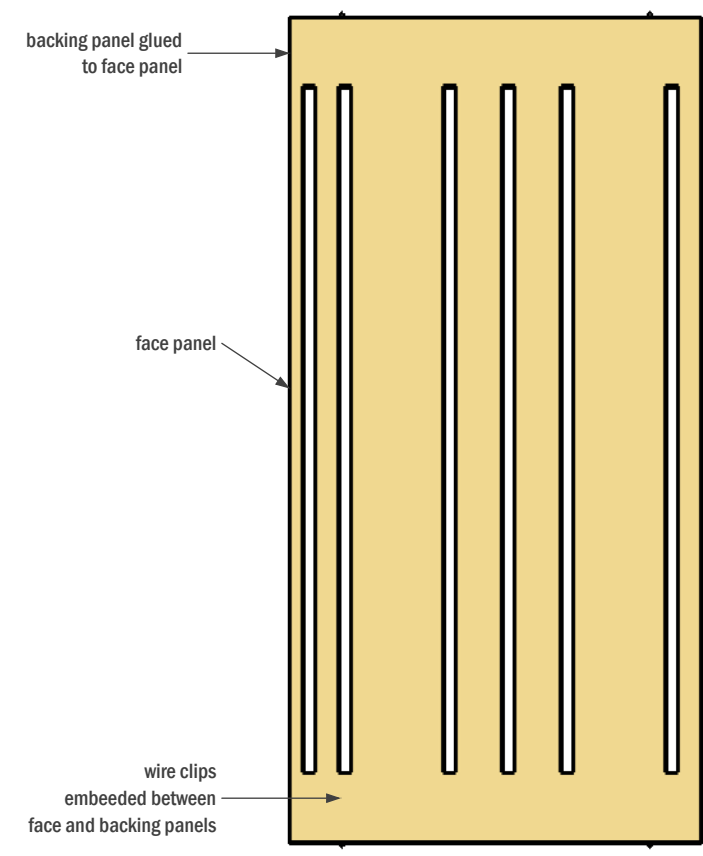
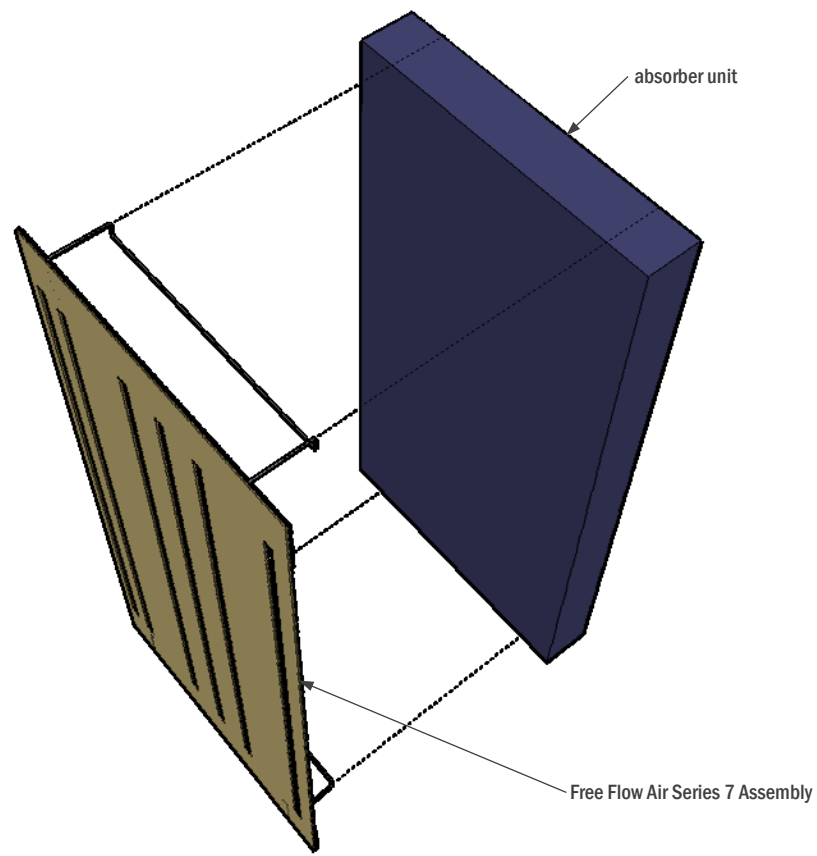
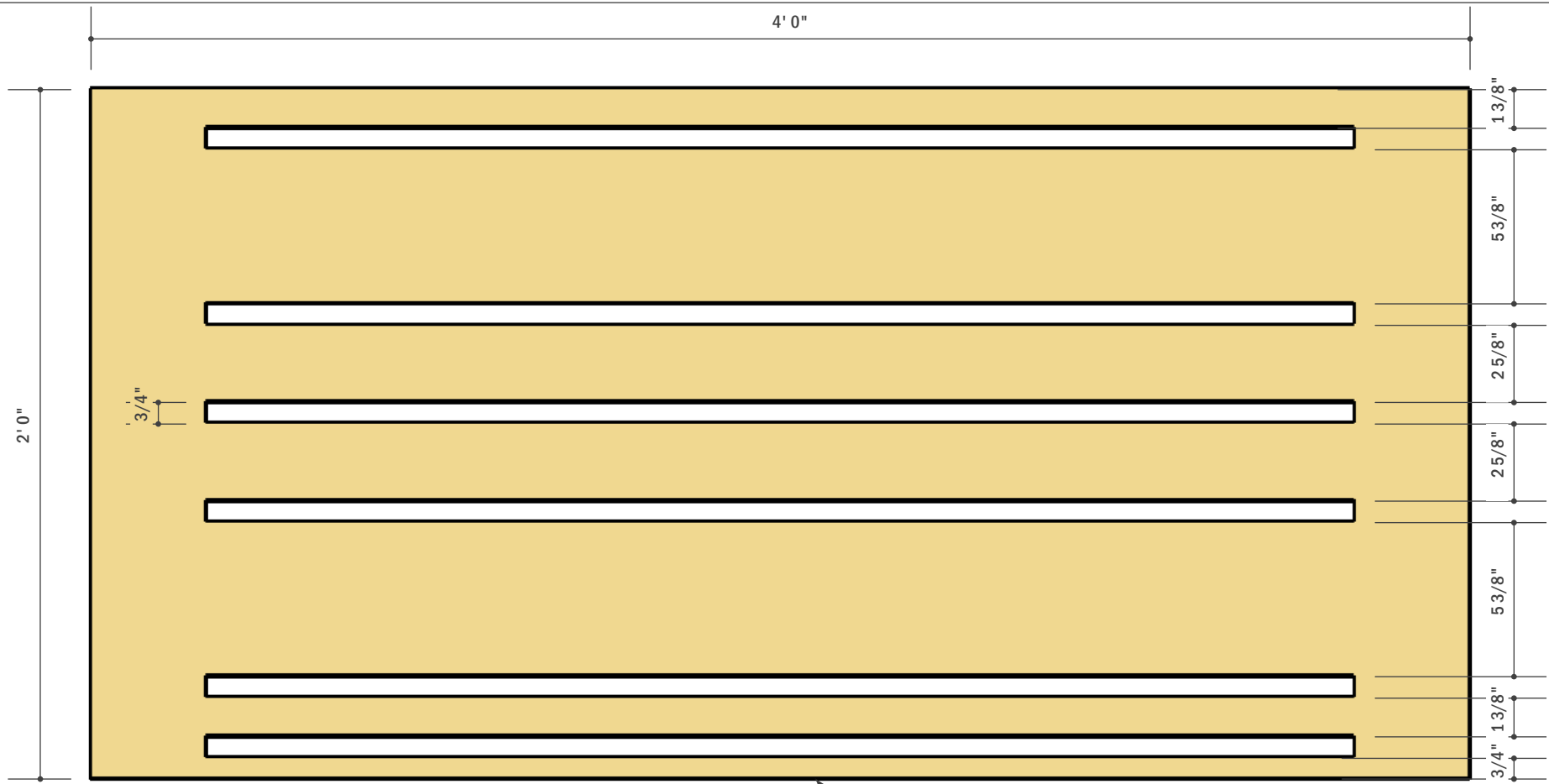


running brook design
www.runnel.com
info@runnel.com

Free Flow™ Air Series 7





face panel

